

**LSI® SAS 9200-8e PCI Express® to
6Gb/s Serial Attached SCSI (SAS)
Host Bus Adapter**

User Guide

Version 1.1
October 2014

DB15-000850-01

For a comprehensive list of changes to this document, see the [Revision History](#).

Corporate Headquarters	Email	Website
San Jose, CA 800-372-2447	globalsupport.pdl@avagotech.com	www.lsi.com

Avago Technologies, the A logo, LSI, Storage by LSI, and Fusion-MPT are trademarks of Avago Technologies in the United States and other countries. All other brand and product names may be trademarks of their respective companies.

Data subject to change. Copyright © 2011–2014 Avago Technologies. All Rights Reserved.

Table of Contents

1 Overview	4
2 HBA Features	4
3 Functional Descriptions	4
3.1 PCIe	4
3.2 SATA and SAS	5
4 Operating System Support	5
5 LSI SAS 9200-8e HBA Characteristics	5
5.1 Flash	5
5.2 Connectors	5
5.3 Physical Characteristics	6
6 Electrical and Environmental Specifications	7
6.1 Electrical Characteristics	7
6.2 Thermal and Atmospheric Characteristics	7
6.3 Safety Characteristics	7
7 Hardware Installation	8
8 Revision History	9
8.1 Version 1.1, October 2014	9
8.2 Version 1.0, July 2011	9

LSI SAS 9200-8e PCI Express to 6Gb/s SAS HBA User Guide

1 Overview

The LSI SAS 9200-8e PCI Express® (PCIe®) to Serial Attached SCSI (SAS) host bus adapter (HBA), hereinafter referred to as the LSI SAS 9200-8e HBA, provides high-performance external storage connectivity for servers and workstations. The LSI SAS 9200-8e HBA provides eight lanes of 6Gb/s SATA or SAS connectivity and is matched with eight lanes of PCIe 2.0 5Gb/s performance. The low-profile design of the SAS HBA includes a full-height bracket and a low-profile mounting bracket that creates a universal fit for any server. The LSI SAS 9200-8e HBA is based on the Fusion-MPT™-architected LSI SAS 2008 controller that integrates the latest enhancements in PCIe 2.0 technology and 6Gb/s SAS technology.

The LSI SAS 9200-8e HBA has onboard Flash memory for the firmware and BIOS.

2 HBA Features

The LSI SAS 9200-8e HBA features has the following features:

- Implements one LSI SAS 2008 eight-port 6Gb/s to PCIe 2.0 controller
- Supports eight-lane, full-duplex PCIe 2.0 performance
- Supports eight external 6Gb/s SATA+SAS ports
- Supports SATA and SAS link rates of 1.5Gb/s, 3.0Gb/s, and 6.0Gb/s
- Provides two x4 external mini-SAS connectors (SFF-8088)
- Supports passive cable
- Supports up to 512 SATA or SAS end devices
- Offers a full-height bracket and low-profile bracket
- Provides multiple activity LEDs
- Provides a universal asynchronous receiver/transmitter (UART) debug/diagnostic port

3 Functional Descriptions

3.1 PCIe

PCIe is a high-speed standard local bus for point-to-point interfacing of I/O components to the processor and the memory subsystems in a high-end personal computer (PC). The LSI SAS 2008 controller chip contains the PCIe functionality for the LSI SAS 9200-8e HBA. The LSI SAS 2008 controller chip connects directly to the PCIe bus and generates timing and protocol in compliance with the PCIe specifications.

The LSI SAS 2008 controller chip JTAG signals are not connected to the corresponding signals in the PCIe connector. The following table shows the LSI SAS 9200-8e HBA 5Gb/s PCIe performance.

Table 1 PCIe Aggregate Bandwidth

Lanes	Single Direction	Dual Direction
Single-lane (x1)	5Gb/s	10Gb/s
Quad-lane (x4)	20Gb/s	40Gb/s
Eight-lane (x8)	40Gb/s	80Gb/s

3.2 SATA and SAS

The LSI SAS 2008 controller chip contains the SATA+SAS functionality for the LSI SAS 9200-8e HBA. The following table shows the LSI SAS 9200-8e HBA 6Gb/s SATA+SAS performance.

Table 2 6Gb/s SATA+SAS Bandwidths

Half Duplex	Full Duplex
Narrow port (one lane), 600MB/s	Narrow port (one lane), 1200MB/s
Wide port (four lanes), 2400MB/s	Wide port (four lanes), 4800MB/s

4 Operating System Support

The LSI SAS 9200-8e HBA supports all major operating systems: Windows®, Linux® Red Hat®, Linux SUSE® Enterprise Server (SLES), Solaris™, and VMware®. Refer to <http://go.lsi.com/hbas> for details on the software versions and device driver support. For Solaris support, contact the LSI® Technical Support team.

5 LSI SAS 9200-8e HBA Characteristics

5.1 Flash

The LSI SAS 9200-8e HBA has onboard Flash ROM for the BIOS and the firmware. The LSI SAS 9200-8e HBA provides one 4-M x 8-bit Flash ROM for storing the BIOS and the firmware.

5.2 Connectors

This section describes the different connectors on the LSI SAS 9200-8e HBA. See [Figure 1](#) for connector locations.

PCIe Connector (J7). The LSI SAS 9200-8e HBA supports a x8 interface. The PCIe connection is through the edge connector, J7, which provides connections on both the top (J7B) and bottom (J7A) of the board. The signal definitions and pin numbers conform to the PCIe specification.

SATA and SAS Connectors (J4 and J5). The LSI SAS 9200-8e HBA supports SATA and SAS connections through connectors J4 and J5, which are SFF-8088 mini-SAS, external, right-angle connectors.

Activity LED Header (J3). The LSI SAS 9200-8e HBA has a 4-pin, right-angle, 0.1-in. pitch header for driving external activity LEDs. The 4-pin header connects to two LEDs, which indicate SAS activity on Port 0 and Port 1.

Table 3 LSI SAS 9200-8e LED Header Pinout

Pin	Function
1	3.3 V
2	Port 0
3	Port 1
4	3.3 V

UART Connector (TP2). The UART connector debug port requires a special cable and LSI support to gather detailed Input/Output Controller (IOC) status.

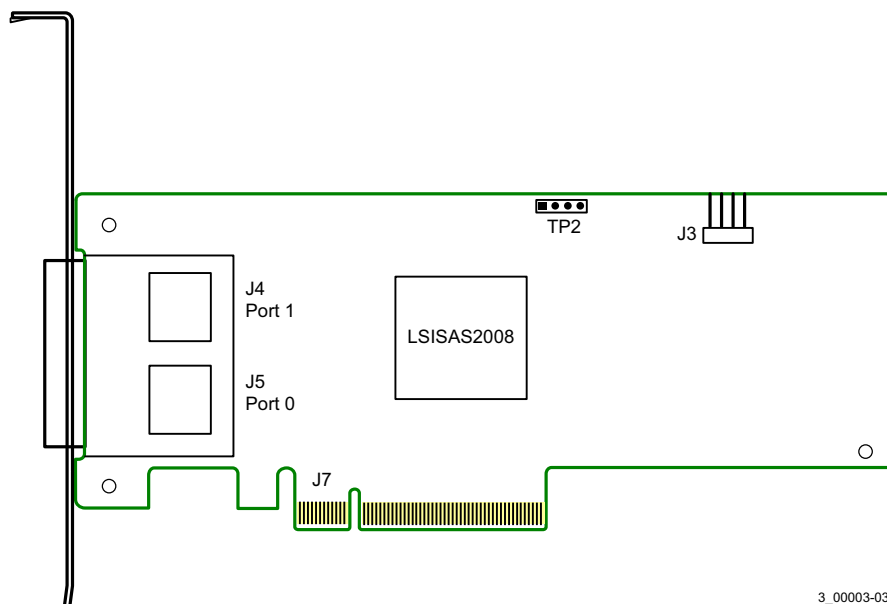
Table 4 LSI SAS 9200-8e UART Pinout

Pin	Function
1	UART0_TX
2	Gnd
3	UART0_RX
4	3.3 V

5.3 Physical Characteristics

The LSI SAS 9200-8e HBA is a 6.6-in. x 2.713-in., low-profile board. The component height on the top and bottom of the LSI SAS 9200-8e HBA is in accordance with the PCIe specification. The following figure shows the board connectors.

Figure 1 LSI SAS 9200-8e HBA Board Layout



3_00003-03

- J3: 4-pin, right angle, 0.1-in. pitch pin header for driving external activity LED
- J4 and J5: SFF-8088 mini-SAS, external, right-angle connectors
- J7: PCIe x8-lane board edge connector
- TP2: UART connection

6 Electrical and Environmental Specifications

The design and implementation of the LSI SAS 9200-8e HBA minimizes electromagnetic emissions, susceptibility to radio frequency energy, and the effects of electrostatic discharge. The board carries the CE mark, C-Tick mark, Canadian Compliance Statement, Korean KCC, Taiwan BSMI, Japan VCCI, and FCC Class B, and it is marked with the FCC Self-Certification logo. The board also meets the requirements of CISPR Class B.

6.1 Electrical Characteristics

The maximum power requirements for the LSI SAS 9200-8e HBA under normal operation are as follows:

- PCIe 12.0 V = 0.74 A
- Power
 - Nominal = 7.92 W
 - Worst Case = 13.20 W
- Operation range = 0 °C to 55 °C (32 °F to 131 °F)

6.2 Thermal and Atmospheric Characteristics

The atmospheric characteristics for the LSI SAS 9200-8e HBA are as follows:

- Temperature range: 0 °C to 55 °C (32 °F to 131 °F) (dry bulb)
- Relative humidity range: 5 percent to 90 percent noncondensing
- Maximum dew point temperature: 32 °C (89.6 °F)

The following parameters define the storage and transit environment for the LSI SAS 9200-8e HBA:

- Temperature range: -45 °C to +105 °C (-49 °F to +221 °F) (dry bulb)
- Relative humidity range: 5 percent to 90 percent noncondensing

6.3 Safety Characteristics

All LSI SAS 9200-8e HBAs meet or exceed the requirements of UL flammability rating 94V-0. Each bare board is marked with the supplier's name or trademark, type, and UL flammability rating. Because these boards are installed into a PCIe bus slot, all voltages are less than the SELV 42.4-V limit.

7 Hardware Installation

Detailed installation instructions for the LSI SAS 9200-8e HBA follow.

1. **Unpack the HBA, and inspect it for damage.** Unpack the HBA in a static-free environment. Remove the HBA from the antistatic bag and carefully inspect it for damage. If you notice any damage, or if any component is missing, contact LSI Technical Support or your reseller support representative.

ATTENTION Make a backup of your data before changing your system configuration, or you might risk data loss.

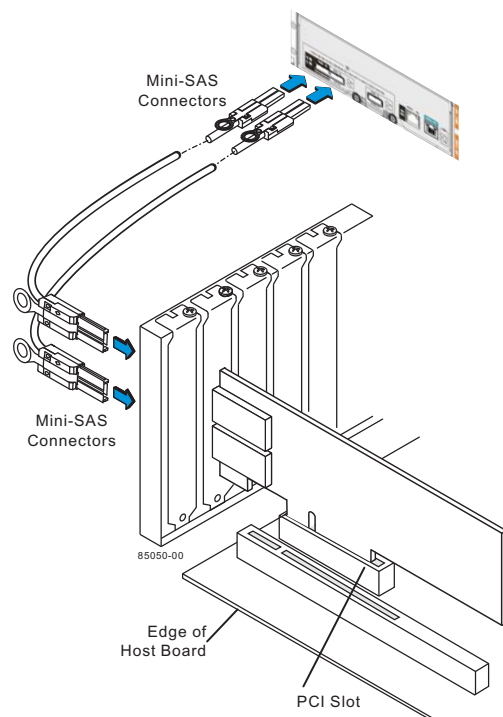
2. **Prepare the system.** Turn off the computer, and disconnect the power cord from the rear of the power supply.
3. **Remove the cover from the chassis.**

WARNING Disconnect the computer from the power supply and from any networks before you install the LSI SAS 9200-8e HBA, or you risk damaging the system.

4. **Replace the mounting bracket (system dependent).** If required for your system, replace the full-length mounting bracket that ships on the LSI SAS 9200-8e HBA with the shorter bracket supplied. Save and reuse the two screws that attach the long bracket to attach the short bracket.
5. **Insert the HBA in an available PCIe slot.** Locate an empty PCIe slot. Remove the blank bracket panel on the back of the computer that aligns with the empty PCIe slot. Save the bracket screw, if applicable.

Align the LSI SAS 9200-8e HBA to the PCIe slot. Press down gently, but firmly, to correctly seat the LSI SAS 9200-8e HBA in the slot. The following figure shows how to insert the LSI SAS 9200-8e HBA into a PCIe slot.

Figure 2 Installing an LSI SAS 9200-8e HBA into a PCI Express Slot



NOTE The shape, size, and locations of components on your HBA and its bracket might vary from this illustration. The LSI SAS 9200-8e HBA requires a x8 PCIe slot.

-
6. **Secure the bracket to the system's chassis.** Install the bracket screw, if applicable, or engage the system retention mechanism to secure the LSI SAS 9200-8e HBA to the system's chassis.
 7. **Connect serial cables between the HBA and any serial HDDs and external enclosures.** Connect serial cables between the LSI SAS 9200-8e HBA and any HDDs or external enclosures. [Figure 2](#) shows the locations of the LSI SAS 9200-8e HBA connectors.
 8. **Replace the cover and any power cords, and power up the system.** Replace the chassis's cover, reconnect any power cords, and reconnect any network cables. Turn on the power.

The installation of your LSI SAS 9200-8e HBA is complete.

8 Revision History

8.1 Version 1.1, October 2014

Made the following changes:

- Updated Operating System Support URL.
- Converted the book to the new template.

8.2 Version 1.0, July 2011

Initial release of the document.

AVAGO
TECHNOLOGIES | STORAGE
BY LSI™